

### Feature

1. Snap-in structure assures easy mounting.
2. Closed structure improves dust and flux resistance.
3. With frame mounting.
4. Long Life Type Available.

### F095 Series Rotary Potentiometer

### Electrical characteristics

- Total Resistance.....1K $\Omega$ ~1M $\Omega$
- Total Resistance Tolerance.....500 $\Omega$  < R < 1M $\Omega$ :  $\pm$ 20%  
R $\leq$ 500 $\Omega$  or R $\geq$ 1M $\Omega$ :  $\pm$ 30%
- Resistance Taper.....A,B,C
- Max. Operating Voltage.....AC50V.DC10V
- Rated Power.....Linear Taper B:0.05W  
Other Tapers:0.025W
- Rotational Noise.....Less than 100mV
- Insulation Resistance.....More than100M $\Omega$  at DC 250V
- Withstand Voltage.....1 minute at AC 300V
- Gang Error(Dual Unit).....-40dB~0dB  $\pm$  3dB
- Residual Resistance.....Term.1~2:Less than 20 $\Omega$   
Term.2~3:Less than 20 $\Omega$

### Mechanical characteristics

- Total Rotational Angle.....300 $^{\circ}$   $\pm$  10 $^{\circ}$
- Rotational Torque.....20 ~100 gf.cm
- Click Torque.....50gf.cm~200gf.cm
- Stopper Strength.....5.0Kgf.cm Min.
- Push-Pull Strength.....10.0Kgf Min

### Durability

- Rotational Life.....Standard life: 15,000 Cycles Min.  
Long life: 100,000 Cycles Min.
- Operating Temperature Range.....-10 $^{\circ}$ C ~ +70 $^{\circ}$ C

### HOW TO ORDER

F095-	H	5	G	1	A	1	C	B	100K	1
-------	---	---	---	---	---	---	---	---	------	---

**Model Series**

Code	Terminal Configuration
H	Top Adjust, PC Pins
V	Side Adjust, PC Pins

Code	Length Of Bushing
5	5.0mm
7	7.0mm

Code	Gang Number
N	Single Gang
G	Dual Gangs

**Shaft Type & Length**

See Note 1

**Full CCW Position**

See Note 2

Code	Resistance Taper
A	Audio (15A)
B	Linear ( Single unit : 1B : Dual & Multit- Gangs : 3B )
C	Reverse Audio(15C)
D	Audio (10A)

**Total Resistance**

1K
2K
5K
10K
20K
50K
100K
200K
500K
1MEG

Code	Shaft Detent Option
0	No Shaft Detent
1	With Center Detent

Code	Operation Life
(Blank)	Std. Life w/o anti-sulfur
1	Std. Life w/ anti-sulfur
2	Long Life w/ anti-sulfur
3	Long Life w/o anti-sulfur

#### Note 1: Shaft Type and Lengths

**A-Type**

Bushing Length H =5							
Code	1	2	3	4	5	6	7
L	12.5	15	17.5	20	20	25	30
F	7	7	7	7	12	12	12

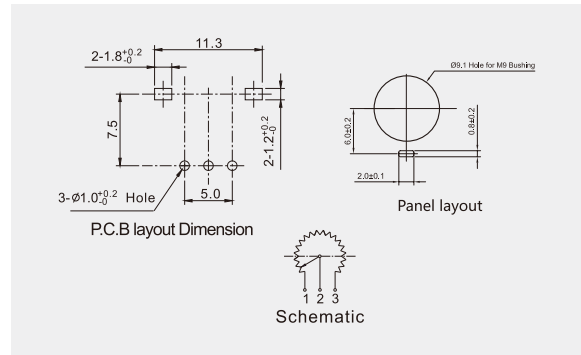
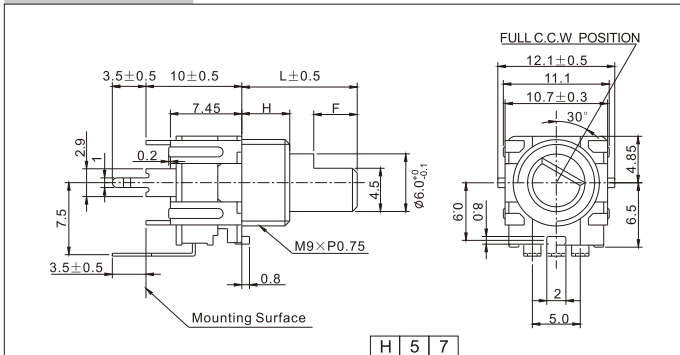
Bushing Length H =7						
Code	1	2	3	4	5	6
L	15	17.5	20	20	25	30
F	7	7	7	12	12	12

#### Note 2: Full C.CW Shaft Position:

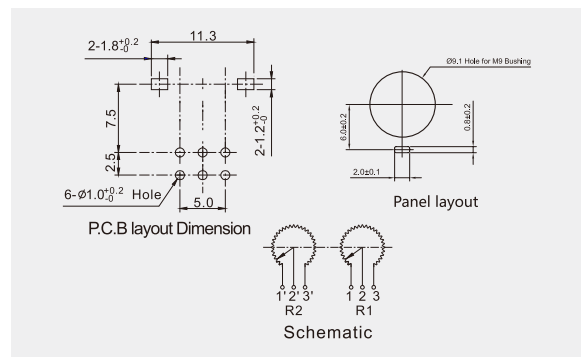
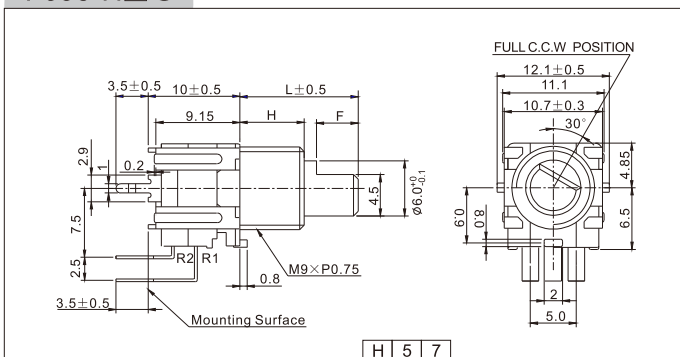
**Full C.C.W Position Type**

C □

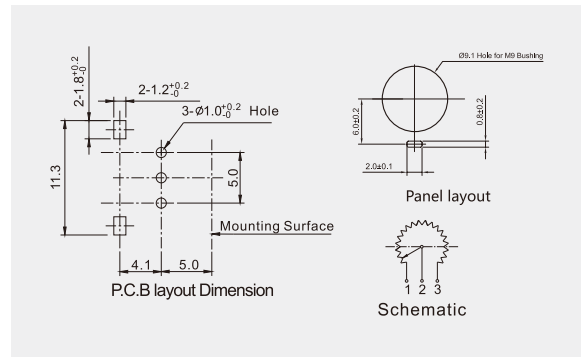
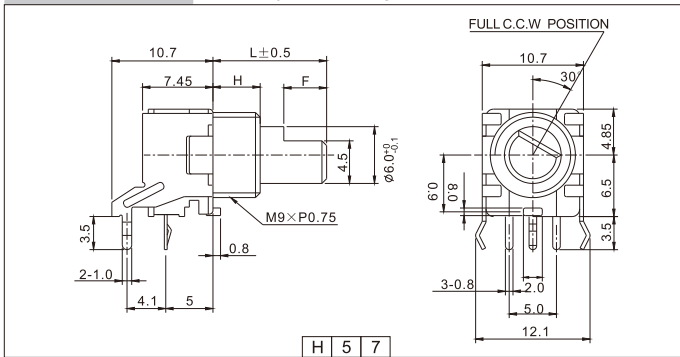
**F095-H□N** Top Adjust, 1 Gang



**F095-H□G** Top Adjust, 2 Gangs



**F095-V□N** Side Adjust, 1 Gang



**F095-V□G** Side Adjust, 2 Gangs

